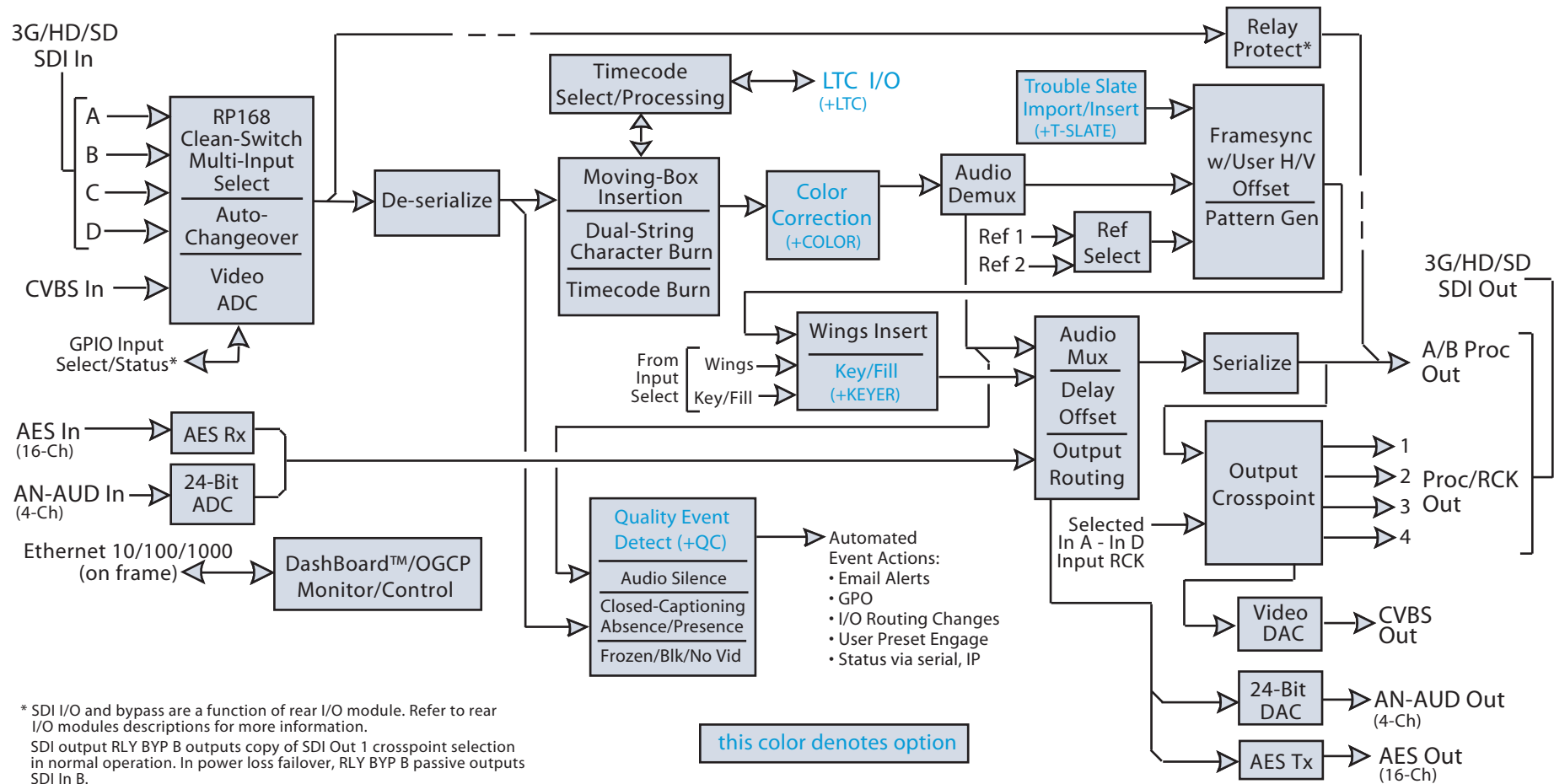


# 9922-FS Block Diagram

## 3G/HD/SD-SDI Framesync

with Audio/Video Processing, AES/Analog Audio Embedding/De-Embedding, and CVBS I/O



\* SDI I/O and bypass are a function of rear I/O module. Refer to rear I/O modules descriptions for more information.  
SDI output RLY BYP B outputs copy of SDI Out 1 crosspoint selection in normal operation. In power loss failover, RLY BYP B passive outputs SDI In B.